



STERYLIS VS is a line of devices with an ozone generator with increased power, additionally using the UV-C technology in the disinfection process and two-stage air filtration.

Maximum recommended cubic capacity
rooms for **UV-C** disinfection

100 m³

Maximum recommended cubic capacity
rooms for **O₃** sterilization

450 m³



WORK MODES:



Filtration



Disinfection UV-C



UV-C disinfection -
silent mode



Sterilization
O₃ + UV-C (Auto)

TECHNICAL SPECIFICATIONS:

STANDARD MODE – UV-C DISINFECTION

The maximum dose of UV-C radiation	112 J/m ²
Fan performance UV-C disinfection mode	220 m ³ /h
Noise level – disinfection mode UV-C	50 dB(A)

SILENT MODE – UV-C DISINFECTION

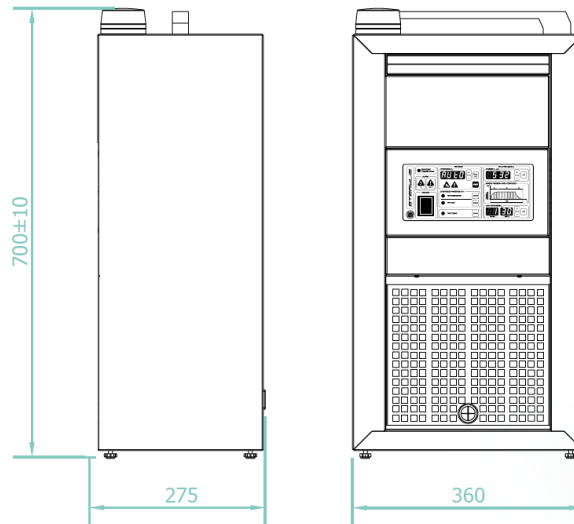
The maximum dose of UV-C radiation	149 J/m ²
Fan performance UV-C disinfection mode (silent)	165 m ³ /h
Noise level – disinfection mode UV-C (silent)	45 dB(A)

MODE – STERILIZATION O₃ + UV-C

Maximum cubic capacity of the sterilized room (to achieve 5 ppm O ₃)	450 m ³
Ozone generator capacity	30 000 mg/h
Fan capacity Sterilization mode O ₃ +UV-C	265 m ³ /h
Noise level – sterilization mode O ₃ +UV-C	53 dB(A)

FILTRATION MODE

Fan capacity in filter mode	220 m ³ /h
Noise level – filtering mode	50 dB(A)
UV lamp	YES



Type lamps UV	UV-C sterilization $\lambda = 253,7 \text{ nm}$
Electrical power of UV lamps	54 W
Durability of UV lamps	9000 h
Power of the UV light source	14,4 W
Ozone generator	YES
Ozone concentration sensor	YES
Ozone destructor	YES
Air filtering	2-stage
Fan type	Radial
Fan engine	enclosed
Type	flowtype
Controller	YES
Automatic mode of operation	YES (control of sterilization time according to actual ozone concentration readings)
Self-diagnosis	YES
Working time counter	YES (signaling the replacement of filters and UV radiators)
Power supply	230 V (AC), 50 Hz
Rated current	2,0 A
Rated power	470 W
Power cable length	3 m / 10 m*
Dimensions (H x W x D)	700 x 360 x 275
Net weight	18 kg
Type of housing	metal, powder-coated
Transport wheels/handles	handle
Additional functions	signaling safe and excessive ozone levels, detachable power cord

* - option available after consultation with the sales department

Due to the continuous development of our products, we reserve the right to make changes to the design of the devices and to update their parameters.

Revision Date: 28.10.2020